



CITY OF VINCENT

‘VINCENT SOLAR LIGHT AND SAFE MOTION SENSOR LIGHTS’ GUIDELINES

*the sustainable – energy efficient –
easy to install motion
sensor light for improving safety around
your home!*

FREE for City of Vincent Residents
FREE for Victims of Crime
FREE for those susceptible to crime
**conditions apply*

INFORMATION FOR APPLICANTS

‘Vincent Solar Light and Safe Motion Sensor Lights’ is an initiative of the City of Vincent Safer Vincent Crime Prevention Partnership to assist residents in improving lighting outside homes and increasing levels of security and safety. This initiative is one of the many proactive safety and crime prevention initiatives in the Safety and Crime Prevention Plan.

The City of Vincent aims to provide 50 Vincent Solar Light and Safe Motion Sensor Lights to residences of those who have been victims of anti-social/criminal behaviour in or adjacent to their homes within Vincent. Vincent Solar Light and Safe Motion Sensor Lights recipients are required to self install the solar motion sensor lights or have the light installed by a private contractor at the recipients own cost and risk. Installation of the Vincent Solar Light and Safe Motion Sensor Light is relatively easy, with full instructions provided and no hard wiring required.

It is intended that the lighting will illuminate darkened areas outside resident’s homes or adjacent rights of way where anti-social behaviour has been prominent. By lighting these areas, it is anticipated that the incidence of anti-social behaviour will decrease and a safer environment and increased level of safety will be achieved for recent victims of crime.

Recipients of the Vincent Solar Light and Safe Motion Sensor Lights are former victims of crime, or those who may be susceptible to crime

Who is Eligible for a Free Vincent Solar Light and Safe Solar Motion Sensor Light?

- All applicants must be residents of the City of Vincent
- All applicants must have been victims of crime, or those who may be susceptible to crime
- Previous recipients of Vincent Light and Safe or Vincent Solar Light and Safe Motion Sensor Lights **WILL NOT** be eligible

What Level of Assistance is Available?

- One Vincent Solar Light and Safe Motion Sensor Light per eligible resident (or one per eligible household) is available to assist with home safety
- An individual or couple may not receive more than one free Vincent Solar Light and Safe Motion Sensor Light.

Duration of Offer

This offer will be available whilst stocks last.

Situations Whereby a Free Vincent Solar Light and Safe Motion Sensor Light Cannot be Offered

The City of Vincent reserves the right to refuse or withdraw the offer to provide a Vincent Solar Light and Safe Motion Sensor Light at any stage. Listed below are scenarios in which a Vincent Solar Light and Safe Motion Sensor Light cannot be provided:

- If you are a NON Resident
- If stocks have run out
- Where the applicant has unauthorised outstanding rates owing to the City of Vincent for a period in excess of 12 months
- If a person and/or property have been a previous recipient of the Vincent Solar Light and Safe Motion Sensor Light

On these occasions the individuals will be offered information regarding alternative methods of home safety.

How will the Vincent Solar Light and Safe Motion Sensor Light be Provided?

You will be notified when your submission has been approved, or declined, in writing. Upon receipt of your notification, you will need to bring your letter into the Administration and Civic Centre at 244 Vincent Street Leederville, with proof of identity, in order to collect your Vincent Solar Light and Safe Motion Sensor Light.

How can an Application for a Vincent Solar Light and Safe Motion Sensor Light be Made?

A request can be progressed by following the 3 steps below:

Step 1: Obtaining an application form and advice (tick when each is completed)

- Contact Ranger and Community Safety Services on 9273 6561 and request a form or download an application form from the City of Vincent's website at www.vincent.wa.gov.au.

Step 2: Lodging your application form

- Carefully complete Section A of the application form. If you do not understand any part of the form, contact the City of Vincent on 9273 6561 for assistance.

Step 3: After receiving confirmation of a decision from the City of Vincent

A) Receiving notice that your application is APPROVED:

- You will be advised in writing to collect the Vincent Solar Light and Safe Motion Sensor Light from the Administration and Civic Centre at 244 Vincent Street, Leederville. *Please bring your letter of approval with you, along with proof of identity and address.*

B) Receiving notice that your application IS NOT APPROVED:

- The Vincent Solar Light and Safe Motion Sensor Light is available at most hardware stores for a retail cost of approximately \$120.00
- A referral can be made to Community Policing for further free security advice.

**Please Contact Safer Vincent on telephone number
9273 6561, for assistance or
safervincent@vincent.wa.gov.au**

Installation Instructions

TROUBLESHOOTING

Problem	Possible solution
Light will not switch on when there is movement in detection area	<ul style="list-style-type: none"> Ensure that the power switch on the main body has been turned to the AUTO position. Ensure that the motion sensor has been positioned to face oncoming movement. Ensure that the solar charge panel has been plugged into your Solar Security Light. Be sure that battery has been fully charged in direct sunlight for 5 sunny days – Refer to the "Before first time use of your Solar Security Light" section on page 2. Check to see that the solar cell charge panel is facing north so that it receives direct sunlight for most of the day, enabling the battery to fully charge. Check to see that the LUX control has not been set too far towards (D). This will mean your Solar Security Light will not operate until it is completely dark. Check to see that the solar panel is not near night time light sources such as street lights. Globe may not be working and may need replacing.
Light switches on during the day	<ul style="list-style-type: none"> The LUX control may be set too far towards the (+) position.
Light switches on for no apparent reason	<ul style="list-style-type: none"> The SENS control may be set too far towards the (+) position. Pets or birds may be getting in the area of detection. This may be unavoidable, however the sensor could be redirected to a height where this is less likely to occur. If there are reflective objects in the detection area, you may need to redirect or possibly reposition the sensor.
Light quickly flashes on and off	<ul style="list-style-type: none"> Battery charge may be low. Turn power switch to the OFF position and charge battery for 5 sunny days, ensuring the solar cell charge panel has been placed in direct sunlight. Move the LUX control more to the (+) position.
Light is not as bright as normal	<ul style="list-style-type: none"> Battery charge may be low. Turn power switch to the OFF position and charge battery for 5 sunny days, ensuring the solar cell charge panel has been placed in direct sunlight. Globe may need replacing.

WARRANTY

HPM Cat RSSL605/1 Series lights are warranted against faulty material and/or workmanship for a period of 12 months from date of purchase, excluding the globe and battery.

The obligation of the manufacturer, under this warranty, is limited to replacing defective parts when the unit is returned to the place of purchase.

To obtain warranty replacement, the purchase receipt should be returned with the product.

This warranty becomes void on any unit which has been tampered with or damaged by accident, or damaged otherwise by improper operation.

This guarantee is in addition to any guarantees implied by State or Federal Legislation.

HPM Industries Pty Ltd



Cat. RSSL605/1 Series
HPM Industries Pty Ltd

www.hpm.com.au
www.hpm.co.nz
Tel: 1300 369 777

SOLAR Security Light



ASSEMBLY & OPERATING INSTRUCTIONS

Solar Security Light – 10W Halogen. Cat RSSL605/1 Series

IMPORTANT: READ ALL INSTRUCTIONS CAREFULLY BEFORE USE

ABOUT YOUR SOLAR SECURITY LIGHT

During the day, the solar cell charge panel included with this HPM Solar Security Light converts sunlight into electricity recharging the pre-installed battery.

Using this stored energy, the 10 watt halogen globe (included in this Solar Security Light) turns on automatically at night when motion is detected.

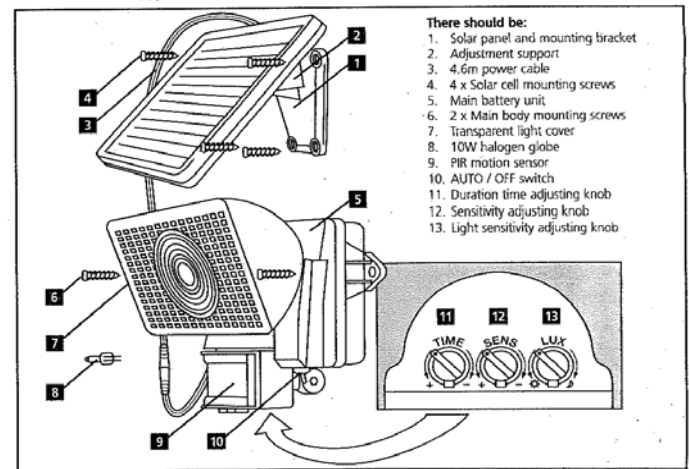
This HPM Solar Security Light has an adjustable TIME dial that allows light duration of up to 60 seconds.

When the battery is fully charged, this Solar Security Light can light up for up to 2.5 hours per day, which is equivalent to 150 times a day when the TIME dial is set to the maximum (+) position.

The battery included in this unit is a sealed lead-acid 6V, 4Ah rechargeable battery and will need to be replaced when the charging ability is decreased. This battery should last for approximately 3 years before it will need to be replaced.

ASSEMBLING YOUR SOLAR SECURITY LIGHT

This HPM Solar Security Light will need to be assembled prior to installation. Carefully remove and identify all the fixture parts from their protective packaging and lay them out in front of you.



There should be:

- Solar panel and mounting bracket
- Adjustment support
- 4.6m power cable
- 4 x Solar cell mounting screws
- Main battery unit
- 2 x Main body mounting screws
- Transparent light cover
- 10W halogen globe
- PIR motion sensor
- AUTO / OFF switch
- Duration time adjusting knob
- Sensitivity adjusting knob
- Light sensitivity adjusting knob

Once you have identified all parts, connect the solar charge panel to your Solar Security Light by plugging the 4.6m lead into the lead attached on the front of the Solar Security Light.

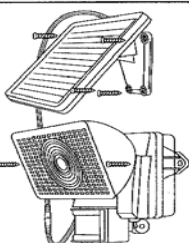
CHOOSING A LOCATION FOR YOUR SOLAR SECURITY LIGHT

This Solar Security Light comes complete with an amorphous solar cell charge panel attached to a 4.6m power lead. This amorphous solar cell charge panel has a high shadow tolerance and is able to charge in cloudy conditions. For optimum charge however, the panel should be placed in an area that receives at least 6-8 hours of direct sunlight per day.

In choosing a location for your Solar Security Light, ensure that the solar cell charge panel is not placed near night time light sources such as porch lighting or street lighting. This Solar Security Light is ideal for areas where electricity is not available, including driveways, carports, garages and entrance doors, for safety and security around your home. In addition to the safety and security benefits of this Solar Security Light, it can also be used for convenience lighting and is ideal for use on backyard sheds, farm sheds, caravans and other remote areas where electricity is not available. When deciding where to mount the light, keep in mind that the motion sensor that activates this light has a field of vision of 180° (horizontal) at a distance of 12m when the surrounding temperature is 25°C.

HOW TO INSTALL YOUR SOLAR SECURITY LIGHT

For security lighting purposes, mount the Security Light vertically onto a solid surface, using the two (2) wood / sheet metal screws supplied.



If preferred, you may also mount your Security Light in a more horizontal position. Use the four (4) wood / sheet metal screws supplied to mount the solar cell charge panel onto a solid surface. You can adjust the angle of the solar cell by moving the adjustment support up and down. For optimum charge, remember to face the panel north for direct sunlight exposure.

BEFORE FIRST TIME USE OF YOUR SOLAR SECURITY LIGHT

- Ensure the power switch on the main body of your Security Light is in the OFF position. In this position the solar cell will charge the battery without activating the unit.
- Leave the switch in this position for up to 5 days ensuring the solar cell charge panel is placed in direct sunlight. This will ensure that the battery in your Solar Security Light has a full charge prior to motion sensor adjustment and normal operation.

OPERATING YOUR SOLAR SECURITY LIGHT

After the initial 5 day charge of your Solar Security Light, move the switch on the main body to the AUTO position. Your Solar Security Light is now ready for use. Underneath the PIR motion sensor, there are 3 adjustment dials: TIME / SENS / LUX. All 3 of these adjustment dials have been preset to the following conditions.

TIME – Set at 30 seconds.
SENS – Set at 6m (when the surrounding temperature is 25°C).
LUX – Set for your Security Light to activate at dusk when motion is detected

If the above settings are not suitable for your application, then these may be adjusted using the steps below.

• Time Period Adjustment (TIME)

The time period control sets the duration that the Solar Security Light will be illuminated, when activated. The time period is adjustable over a range of 10 seconds to 1 minute. The shortest time period is with the TIME control set fully clockwise (-).

To adjust the time period, set the TIME control at a random position, trigger the sensor unit and measure the time period the light illuminates. Increase or decrease the time period by adjusting the TIME dial and re-trigger the sensor unit. Continue with this process until the desired time period is obtained.

• PIR Motion Sensor Adjustment (SENS)

The sensitivity of the motion sensor on this Solar Security Light will be affected by environment temperature. The cooler the temperature the more sensitive the PIR sensor will become. Use the SENS dial to adjust the sensitivity of the PIR sensor to compensate for environmental temperature changes. The sensor is most sensitive when it is turned fully anti-clockwise (+).

• Light Level Adjustment (LUX)

The LUX dial controls the natural light level that initiates operation, and prevents the security light from operating during daylight hours.

Your solar security light comes preset and will be activated when motion is detected at dusk. To adjust the light level control, turn the LUX control fully clockwise (D). Wait until the natural light falls to the required level that you wish to activate your solar security light. Rotate the LUX control slowly anti-clockwise until the solar security light illuminates.

WALKING TEST

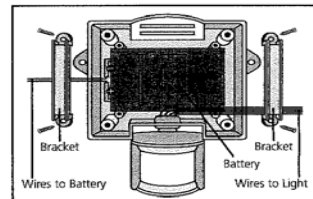
Point the motion sensor in the direction you want to detect motion and set the TIME dial to minimum (-) position and the LUX dial to "light" (D) position.

Test the coverage of the area by walking slowly around the area of detection, if the Solar Security Light does not come on, you may need to adjust the angle of the sensor unit.

REPLACING YOUR LEAD ACID RECHARGEABLE BATTERY

When the charging ability of your battery decreases, you can replace the battery with a new 6V, 4Ah Lead-Acid battery. Follow the steps below when replacing your battery:

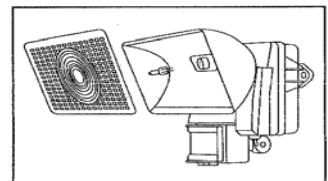
- First remove the main unit from its mounted surface.
- Move the power switch on the main body to the OFF position.
- Remove the four (4) screws on the back of the main unit that hold the halves together.



- Once the unit is open, carefully remove the two (2) brackets holding the battery in place by unscrewing the four (4) screws as indicated in the diagram above.
- Carefully unplug the positive and negative leads.
- Carefully remove the battery from its compartment and replace with a new 6V, 4Ah Rechargeable Lead-Acid battery. Ensure that the red lead is re-attached to the red coloured (+) battery terminal and the black lead is re-attached to the black coloured (-) battery terminal. (Connecting these in the opposite direction could damage the unit)
- Replace the two (2) brackets to hold the battery in place by using the four (4) screws removed in step 4, taking care not to damage any cables.
- Re-assemble the main unit by screwing the two (2) halves of the main body together, using the four (4) screws removed in step 3, ensuring the two halves click together securely.
- Once assembled mount your Solar Security Light to its original surface location.
- Repeat the steps in the "Before first time use of your Solar Security Light" section on page 2 to ensure your new battery is fully charged.

NOTE: Dispose of your old battery thoughtfully. Do not dispose by general household refuse or onto a fire. Consult your local council for correct disposal of batteries.

REPLACING YOUR 10 WATT HALOGEN GLOBE



- Remove the diffuser cover using a small flat head screwdriver.
- Gently remove the old globe taking care and ensuring that the globe is cool to touch.
- Using a soft cloth or tissue, replace with a new 10W halogen globe by inserting the prongs into the holes. HPM replacement globe: Cat DGL16.
- Replace the diffuser cover back onto the main unit.

MAINTENANCE TIPS

To keep your Solar Security Light looking new, keep lens free of dust and deposits by wiping occasionally with a dry cloth or with warm soapy water if necessary. Importantly, ensure that the solar cell charge panel is kept free of dirt and debris at all times. A dirty solar panel will not allow the battery to fully charge and this will shorten the life of the battery and may cause the light to malfunction.

STORAGE

If you wish to store your light indoors for more than two or three days, follow the instructions below to prevent damaging the battery:

- Turn the power switch to the OFF position.
- The battery will need to maintain some charge during storage, so you should store the light and solar panel where it can receive some sunlight each day.
- During prolonged storage, ensure that once every four months, the battery is fully charged in direct sunlight for 5 days.

NOTE: For optimal performance, HPM recommends that you do not store your Solar Security Light for prolonged periods of time.