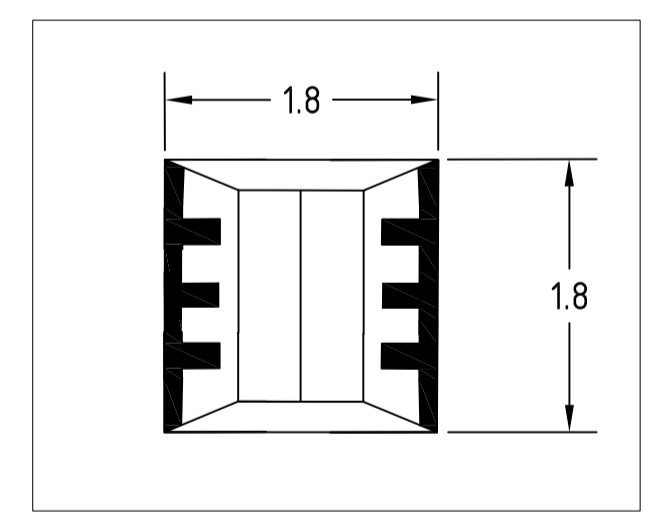


SPEED HUMP DETAILS  
NOT TO SCALE  
DETAIL A



SPEED CUSHION DETAILS  
NOT TO SCALE  
DETAIL B

LEGEND

- PROPOSED BRICKPAVING
- EXISTING BRICKPAVING
- RED ENTRY STATEMENT & SPEED HUMPS

JOIN A-A ABOVE

JOIN A-A BELOW



**CITY OF VINCENT**  
244 VINCENT STREET LEEDERVILLE, 6007  
TECHNICAL SERVICES

MARK	DATE	MADE BY	AMENDMENT
A	13/05/2016	AJ	AMENDED AS PER DIRECTOR OF TECHNICAL SERVICES RECOMMENDATION

THIS DRAWING REMAINS THE PROPERTY OF THE CITY OF VINCENT AND MUST NOT BE RETAINED, COPIED OR USED WITHOUT THE AUTHORITY OF THE MANAGER, TECHNICAL SERVICES

SCALE	1:250 (A1)
DATE	MAY 2016
DESIGN	AJ
DRAWN	AJ
CHECK	
APPROVED	
DIRECTOR TECHNICAL SERVICES	

PROPOSED TRAFFIC CALMING/ STREETScape ENHANCEMENT  
FLORENCE STREET  
WEST PERTH

TECHNICAL SERVICES  
DRAWING NO:  
**3268-CP-03A**